

KEG COUPLERS

PART # C716



Product Name

A system keg coupler (EUROPEAN SANKEY)

Pressure release valve (PRV)

Without PRV

Probe Thread & Material

5/8''-14 & SS 304

Body material & Finish

Brass & Chrome Plated

Gas inlet thread

3/4'' BSP

Handle type

Ergo (Sleek)

Feature

- * Used for most German beers.
- * Slide on keg connection.
- * With sight glass



A SYSTEM

Product Specification subject to change without notice
Any act of copying distributing or disclosing of the datasheet
Will be liable against policy rights of Pacific Merchants

Krome Dispense
Ph: 0181 - 2600009
Fax: 0181 - 2602130
www.kromedispense.com

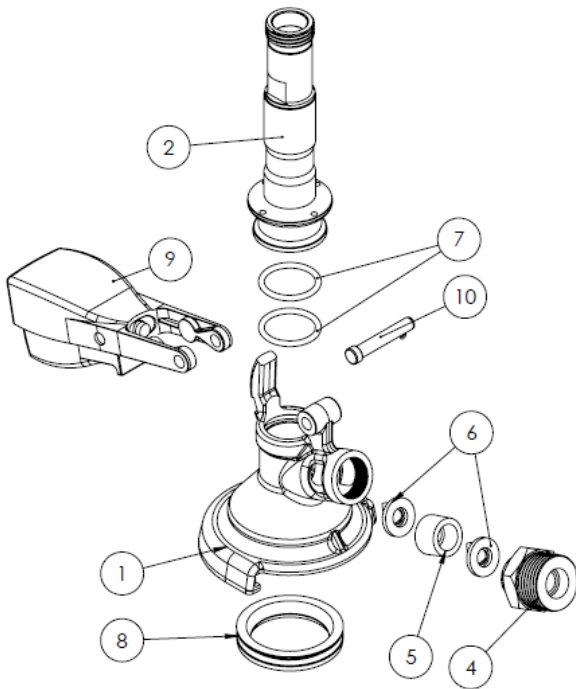
If you have any other technical question about this product please email us at info@kromedispense.com

Pacific Merchants, D-74, Focal Point Extn.,Jalandhar, Punjab-144004,India

A SYSTEM KEG COUPLERS PART # C716



Exploded View



ITEM NO.	PART No.	DESCRIPTION	QTY.
1	C716.01	A system body	1
2	C716.02	Probe Upper	1
4	C716.04	Thread Convector	1
5	C716.05	Site Glass	1
6	C716.06	Check valve	2
7	C716.07	Body O_Ring	2
8	C716.08	Shanky Bottem Seal	1
9	C712.10	Handle Assembly	1
10	C716.09	coupler pin assembly	1

Product Specification subject to change without notice
Any act of copying distributing or disclosing of the datasheet
Will be liable against policy rights of Pacific Merchants

Krome Dispense
Ph: 0181 - 2600009
Fax: 0181 - 2602130
www.kromedispense.com

If you have any other technical question about this product please email us at info@kromedispense.com

Pacific Merchants, D-74, Focal Point Extn., Jalandhar, Punjab-144004, India